

BECKET - Mirrors with LED light



IP44



Low consumption. Led Samsung.



Standard CE



5 years guarantee

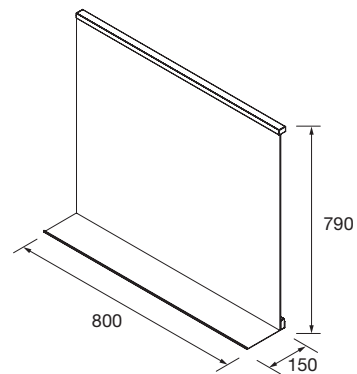


Work lighting

Technical Characteristics

	800
Kelvin	5700 (cool light)
Lúmenes	
Wattios	9
Anticorrosion	No
Energy efficiency	E
Glass thickness	4 mm
CRI	>90
Useful life	3000 h

Product dimensions



Packaging dimensions and weight

	800
Lenght (mm)	850
Depth (mm)	50
Height (mm)	750
Net weight (kg)	3,9
Gross weight (kg)	4,5

Installation dimensions

