

BLOCK - Mirror with LED light



IP44 IP44

W Low consumption. Led Samsung.

CE Standard CE

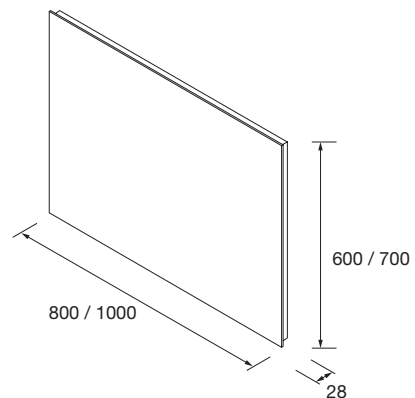
5 5 years guarantee

Backlit mirror

Technical Characteristics

	800	1000
Kelvin	5700 (cool light)	5700 (cool light)
Lúmenes	1300	1612
Wattios	20	21
Anticorrosion	No	No
Energy efficiency	F	F
Glass thickness	4 mm	4 mm
CRI	>90	>90
Useful life	3000 h	3000 h

Product dimensions



Packaging dimensions and weight

	600	1000
Lenght (mm)	885	885
Depth (mm)	75	75
Height (mm)	765	1065
Net weight (kg)	5,6	8,9
Gross weight (kg)	6,5	9,6

Installation dimensions

