

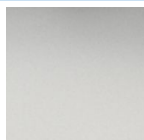
Accessories Tokio Round - Soap holder

Product Information

- Code: 21159
- Kit of product: Soap holder
- Catalogue: General catalogue
- Family: Tokio Round
- Dimensions: 110 x 60 x 130 mm
- Materials: Chrome brass and matt glass
- Finishes:
 - Shine chrome

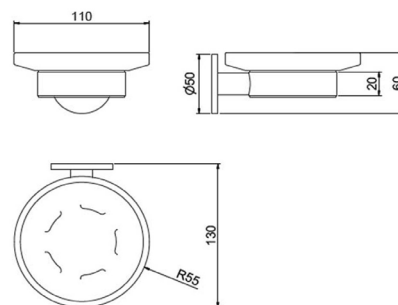


Finishes



Shine chrome

Dimensions



110 x 60 x 130 mm



NO NEED
FOR DRILLING



SUPPORTS OVER
5 KG OF STATIC LOAD



HARD-WEARING
ADHESIVE FIXING