

## Accessories Tokio Round - Toilet roll holder with cover

### Product Information

- Code: 21167
- Kit of product: Toilet roll holder with cover
- Catalogue: General catalogue
- Family: Tokio Round
- Dimensions: 139 x 155 x 31 mm
- Materials Chrome brass
- Finishes:
  - Shine chrome

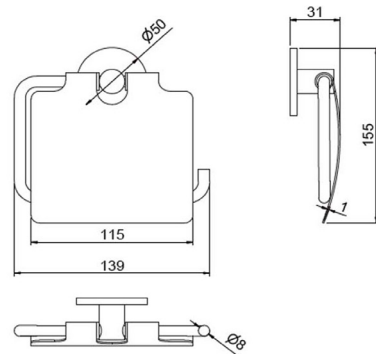


### Finishes



Shine chrome

### Dimensions



139 x 155 x 31 mm



NO NEED  
FOR DRILLING



SUPPORTS OVER  
5 KG OF STATIC LOAD



HARD-WEARING  
ADHESIVE FIXING