

ALLIANCE Mirror Cabinet with Side Light - 630 / 730 / 830 / 930 / 1030 / 1222

MATERIALS

- **Mirror doors:** Moon 6 mm thick with mirror on both sides
- **Side Panels:** Lateral particle board with mirror 3mm
- **Structure fabrication:** laminated particle board.

* All panels used in the manufacture of this unit are classed as E-1 grade with low level of formaldehyde content.

*Chants according to the finish of the cabinet: Acrylic, PVC, ABS. (chamfered with PUR glue)

HARDWARE AND ACCESSORIES

- **Hinges:** Soft closing doors.
- **Shelves:** Glass shelves adjustable in height. 600 / 700 = 2 units; 800 = 4 units; 900 / 1000 / 1200 = 6 units.
- **Hangers:** High-strength hanger with two independent regulations certified according to DIN 68840 (equivalent to 130 kg final load per set)

LED lighting

- **Luminaires:** The cabinet has 1 LED strip 15 x 15 mm on each side of the cabinet for front lighting.

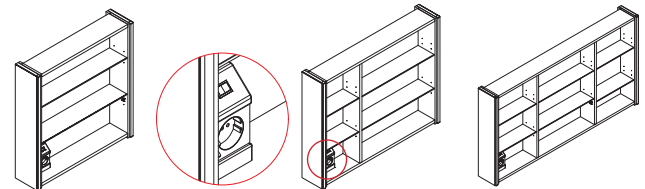
	630 / 730 / 830 / 930 / 1032 / 1222
Power (W)	20 W
Luminous flux (lm)	
T ^a Color (K)	5700 K
Light type	Neutral (daylight)
Insulation class	CII
Protection level	IP44
Nominal voltage	230V ~ 50 Hz
Energy classification	G

Dimensions and packaging weight according to the furniture measure in mm.

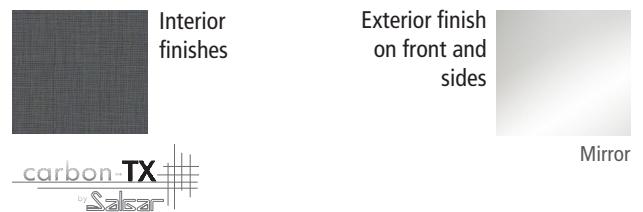
	600	700	800	900	1000	1200
Length mm.	655	745	845	945	1045	1235
Depth mm.	200	195	200	195	200	195
Height mm.	720	710	720	710	710	710
Net weight Kg.	13,33	16	17,8	19,7	21,79	23,3
Gross weight kg	14,5	17,1	19,3	21	23,4	25

Observations

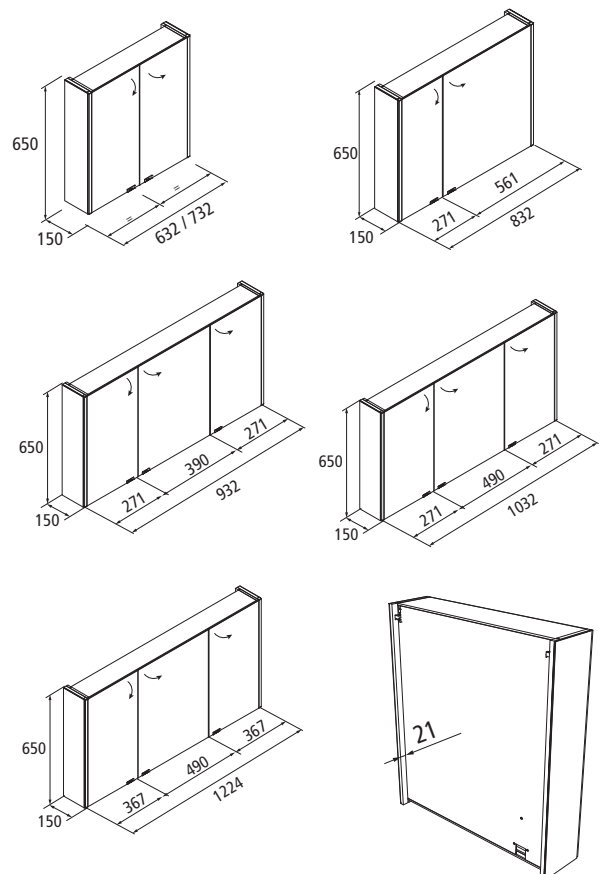
- Cabinet with switch and plug. Prepared for direct connection to 220v network.



Finishes



Dimensional sketch



Free space at the back