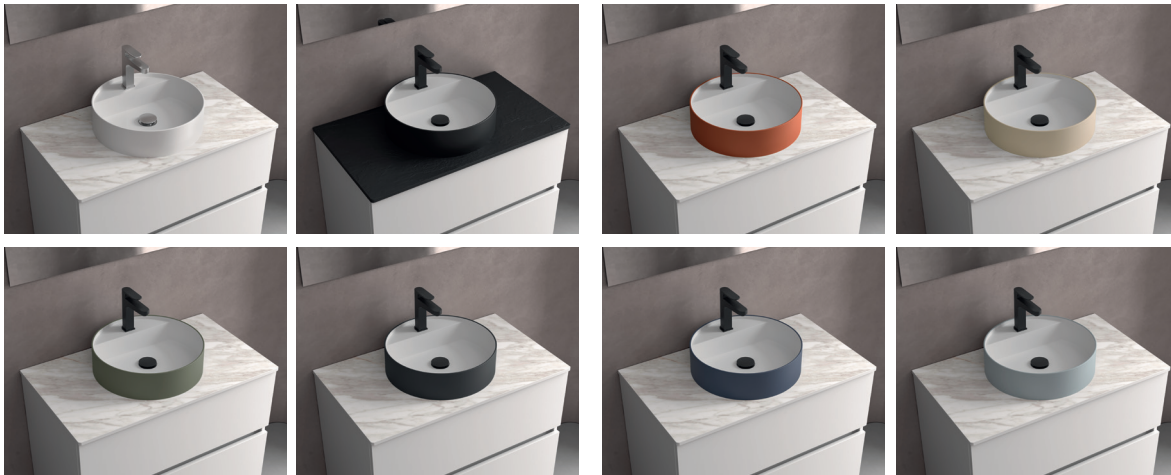


BICA - Solid surface countertop basin Ø 390 mm



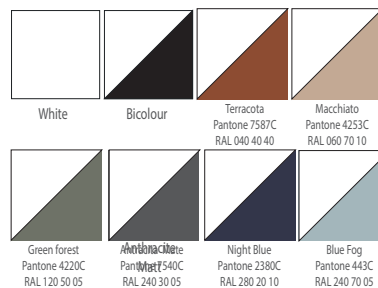
Technical Characteristics

Basins manufactured in white Solid Surface: Compound material of polyester resin with very fine uniform solids of natural mineral composition called ATH, aluminium trihydrate.

- Bicolor washbasin: Lacquered on the outside

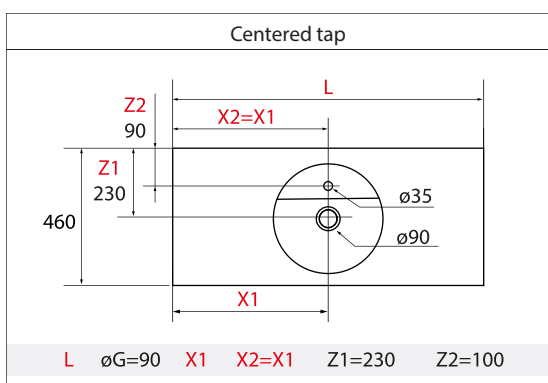
Syphon, pop-up drain stopper and tap not included.

Finish



Vanity top machining

* To see more machining options for countertops, consult the Drill Guide.



Packaging dimensions and weight

Lenght (mm)	410
Depth (mm)	410
Height (mm)	120
Net weight (kg)	5,1
Gross weight (kg)	5,7

Basin Dimensions

