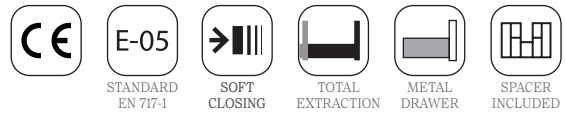


SPIRIT - Wall-hung unit 3 drawers - 600/700/800/900/1000



Exterior finishes



Technical information

Manufacture of doors and sides (e=16mm):

- Gloss white: Laminated particleboard lacquered with ultra-gloss UV polyester paint.
- White Cotton, Black Velvet, Macchiato, Green Forest, Night Blue, Blue Fog, Antracita Mate, Terracota: laminated particle board lacquered with matt water-based paint.
- Natural, Bay Pine, African Oak, Walnut Maya: laminated particle board. PVC song "Testa" with PUR glue

Internal structure construction (e=16mm): laminated particle board onix finish.

- *All boards used in the manufacture of this furniture are classified as class E05 with low formaldehyde content.
- *Edges according to design: PVC, ABS. (edged with PUR glue)

Fittings

Wall brackets: High resistance wall brackets with three independent regulations. 70 kg load capacity.

Drawers: Grass V8 Metallic drawer onix finish with hidden runners with total extraction, soft close and Side and height adjustment. Maximum load capacity: 30 kgs.

Legs: Aluminum legs height 100 mm, in 3 available finishes: gloss anodized, matte black and matte white. Not included.

Handles: Aluminum handle in various finishes: anodized gloss grey, anodized matt black and White with epoxy paint. Not included.

Compatible Washbasins

Wash basins available

600/800/1000/1200 : Constanza, Veneto, Vilna, Alliance, Toscana.

Top basins with counter top

Altiro, Seduction, Kandy, Lokum, Varmega, Tento, Verila, Nesla, Ellen, Bol, Bulkan, Bica, Talea, Carla.

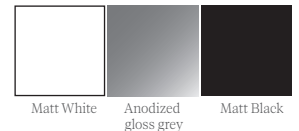
Semi inset basins with counter top

Mael

Interior finishes



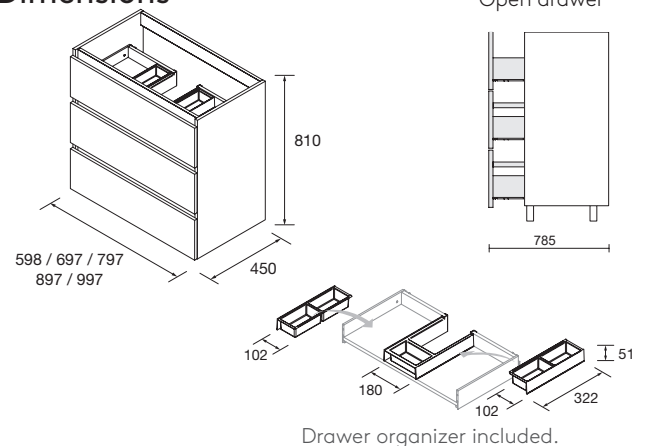
Finishing handles



Packaging dimensions and weight

	600	700	800	900	1000
Length (mm)	660	760	860	960	1060
Depth (mm)	510				
Height (mm)	840				
Net weight (kg)	29,5	32,7	35,8	38,5	40,9
Gross weight (kg)	32	35,4	38,6	41,5	44,1

Dimensions



Back free space for water connections

