

NOJA - Vanity 2 doors - 600/700/800/1200 (2x600)/1400 (2x700)



Exterior finishes



Interior



Technical characteristics

Front & side panels (Thickness=16mm):

- Gloss White: Laminated particle board lacquered with UV high gloss polyester paint.
- Matte grey, Eternity oak, Caledonia oak: Laminated particle board.

Internal structure panels (Thickness=16mm): Laminated particle board.

* All the panels used in the manufacture of this unit are classed as E-05 grade with low level of formaldehyde content.

*Trim varies according to design: PVC, ABS (edged with PUR glue)

Doors: Soft Close and 1 height adjustable wooden shelf.

Metal fitting

Cabinet hangers: Heavy duty hanger with three independent adjustments accessible from the front. Load capacity 70Kg.

Hinges: 4 CLIP quick mounting hinges with 3 adjustments and soft closing.

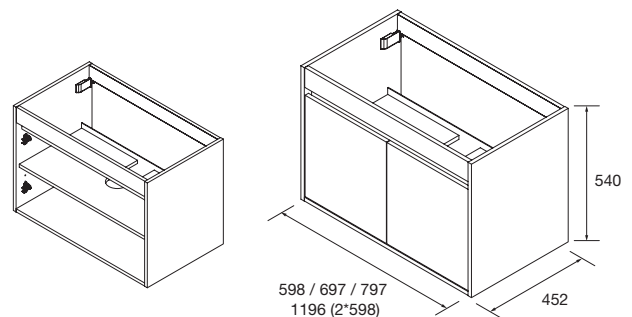
Wash basins available

- 600/700/800: Iberia
- 1200: Iberia double.
- 1400: Toscana double sink.

Vanity dimensions and package weight

	600	700	800
Length mm.	645	745	845
Depth mm.	500		
Height mm.	620		
Net weight Kg.	15	16,6	18,2
Gross weight Kg.	17,1	18,9	20,7

Vanity dimensions



Free space for water pipe

