

# MICRO - Vanity 400



## Exterior finishes



Gloss white    Matt grey    Caledonia oak    Eternity oak

## Interior



Grey rioja



REVERSIBLE



E-05  
STANDARD  
EN 717-1



SOFT  
CLOSING

## Technical characteristics

Front & side panels (Thickness=16mm):

- Gloss White: Laminated particle board lacquered with UV high gloss polyester paint.
- Matte grey, Eternity oak, Caledonia oak: Laminated particle board.

Internal structure panels (Thickness=16mm): Laminated particle board.

- \* All the panels used in the manufacture of this unit are classed as E-05 grade with low level of formaldehyde content.
- \* Trim varies according to design: PVC, ABS (edged with PUR glue)

## Metal fitting

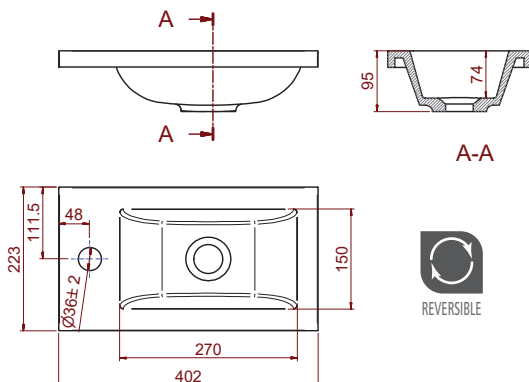
Handles: Made of steel with a polished chrome finish.

Cabinet hangers: Heavy duty hanger with three independent adjustments accessible from the front. Load capacity 70Kg.

Hinges: "Soft-Close"

## Wash basins available

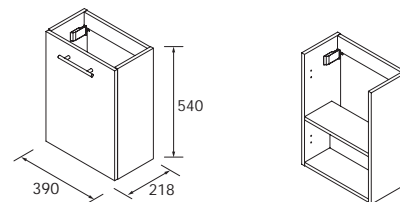
- 400: Mini mineral load washbasin.



## Vanity dimensions and package weight

|                  | MICRO | LAVABO |
|------------------|-------|--------|
| Length mm.       | 435   | 420    |
| Depth mm.        | 265   | 250    |
| Height mm.       | 600   | 130    |
| Net weight Kg.   | 7     | 3      |
| Gross weight Kg. | 8,11  | 3,5    |

## Vanity dimensions



## Free space for water pipe

